

# REFURBISHED PORTABLE X-RAY SPECIFICATIONS

Amber Diagnostics has been refurbishing Portable X-Ray Systems Since 1994.

All systems can be custom refurbished to meet all of your specific financial budgets and technical requirements.

Amber Diagnostics refurbishes and re-assembles all GE AMX portables under a thorough electronic, mechanical and cosmetic refurbishing program. Upgrades may include critical structural reinforcements and replacement of major cabling and control components.

Amber Diagnostics then calibrates and tests each system to exacting OEM standards and are backed by a comprehensive warranty on workmanship and parts. Ask about our extensive inventory of new replacement battery systems and new, used and refurbished AMX parts.

**AMBER  
DIAGNOSTICS**  
*Saving a Life Everyday*



2180 Premier Row,  
Orlando, FL 32809 USA

1-888-561-7900

407-438-7847

Fax: 407-856-5456

www.AmberUSA.com

# GE AMX Portables AMX-110

- Consists of an x-ray generator control and transformer, rechargeable battery, tube support column with x-ray tube unit and collimator, all mounted on a self-propelled mobile base.

- Delivers precise, stabilized, low-ripple DC output, up to 110 kVp, exposure to exposure with no need to recharge.



GE AMX-110

Our proprietary refurbishing and re-assembling processes includes complete system reconditioning, stage testing that assures the systems will pass original equipment manufacturers performance specifications and FDA laws. All systems sold are available with comprehensive warranty programs. Amber Diagnostics provides expert crating, shipping, installation, user and AIAT documentation, and system training to ensure that your equipment arrives in excellent working condition.

## X-RAY SYSTEM FEATURES

Model	GE AMX-110
Ma	100
kVp	50-110
mAs	1.0-300
kVp Stations	12
mAs Stations	24
X-Ray Tube	MX-75 300k HU
Focal Spot	1.0 mm
Generator Frequency	Medium
Exposure Contact	Solid State

### Positioning

Moves smoothly into position to assure the radiographic views needed. The counterpoised tube unit travels 60" vertically, from a minimum of 20" above the floor, and 15" horizontally. Can be rotated 180° and locked in any intermediate position.

### Power Requirements

Power is obtained from a rechargeable 120 V battery housed inside the mobile base cabinet. Capacity of the battery when fully charged is approximately 10,000 MAS at 100 KVP, provided that the tube rotor is not run more than 10 seconds per exposure. Approximately 8,500 MAS remaining for radiographic purposes after the unit has been driven 1 mile on a hard tiled surface. Power requirements for recharging the battery: 105 to 120 VAC 50/60 Hz 3.5 Amps; 210 to 240 VAC 50/60 Hz 1.75 Amps.

### Battery Charge

The minimum battery charge for operation of the unit is that the Battery condition Meter read in either of the two green hands prior to the x-ray exposure.

### Motor Drive Ratings

May be driven at speeds up to a maximum of 180 feet per minute on a smooth, hard surfaced, level floor. Attainable speed will be reduced by inclines, carpeted, or softsurfaced floors. The Drive Assist feature primarily increases the low speed torque and has little effect on maximum speed. With Drive assist the unit is capable of climbing a 6° incline on a tiled or similar surface. Battery drain varies according to the speed, distance, type of surface, and incline.

### Maximum Ratings

All radiographic exposures with this unit are at 100 milliamperes: 110 KVP – 200 MAS; 100 KVP – 250 MAS; 50 to 90 KVP – 300 MAS. If all these ratings are exceeded, the Main Power Circuit Breaker may actuate or the output of the unit may be low.

### Tube Unit Ratings

Minimum inherent filtration of the tube unit is 1.0 mm Aluminum equivalent, measured at 130 kVp. The unit ratings are based on operation with a 1 mm focal spot, 15° target angle, 3400 RPM, at 500 Hz.

### Collimator

Maximum rating is 150 KVP. Minimum inherent filtration of the collimator is 1.5 mm aluminum equivalent at 150 KVP. Additional filtration may be obtained by inserting the 1 mm and /or 2 mm aluminum filters. Minimum source-to-skin distance is limited to more than 30 cm by the tracks on the bottom of the collimator for mounting the accessory Extension Cylinder. Full 17" x 17" radiographic coverage at a 40" source-to-image distance (SID) is provided for tubes with a 15° target angle.

# REFURBISHED PORTABLE X-RAY SPECIFICATIONS

When considering the purchase or reallocation of an existing medical asset which is restored back to its original quality level and original manufacturers specifications can prove extremely cost effective.

For many organizations, purchasing refurbished equipment is a cost-effective alternative compared to purchasing new equipment. **Savings are typically 40 to 60 percent off less than new equipment.**

With this level of savings, healthcare organizations can stretch their equipment dollars, providing for multiple requirements.

Every refurbished system comes with a comprehensive warranty.

## REFURBISHING PROCESS



AESTHETICS



MECHANICAL  
INTEGRITY



O.E.M. SYSTEM  
REQUIREMENTS

# AMBER DIAGNOSTICS

*Saving a Life Everyday*

2180 Premier Row,  
Orlando, FL 32809 USA

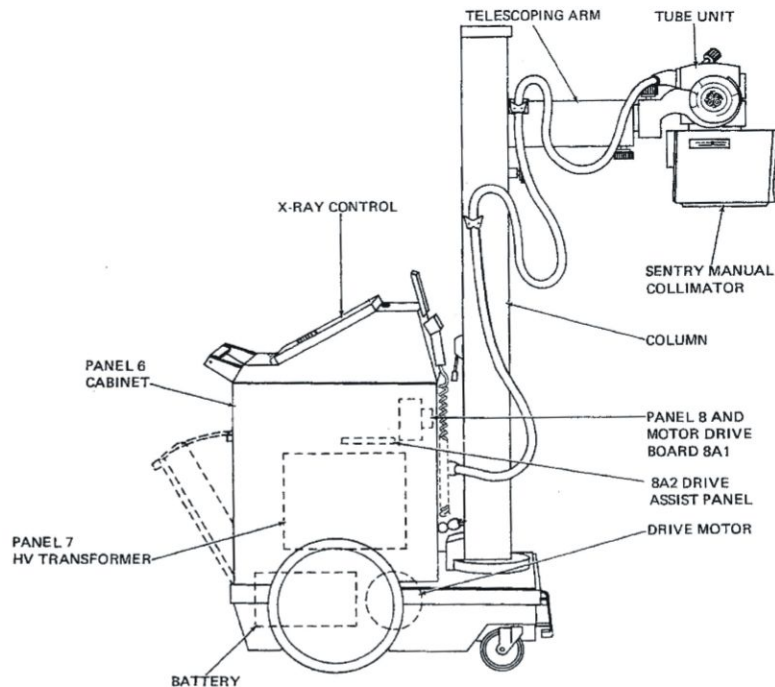
1-888-561-7900

407-438-7847

Fax: 407-856-5456

www.AmberUSA.com

# GE AMX Portables AMX-110



## X-RAY SYSTEM FEATURES

### Totally Mobile

- Operates bedside at full power with auxiliaries without a power connection.
- Variable speed, forward and reverse.

### Versatile Power

- Constant-potential output makes 100 mA rating equivalent to 200 mA single phase conventional generators.
- Rechargeable battery pack has a capacity of 10,000 mAs measured @ 100 kVp; proportionally more mAs at lower kilo voltages.
- Silicon high-voltage rectifiers and solid state timer for consistent results.
- Solid state high frequency inverter.
- Overload protection for high-voltage components and battery pack.

### Structurally Reinforced Column

- Column reinforcement upgrade kit installed on all pre-AMX-4 models.
  - New constant friction rotational lock.
  - Manual horizontal arm lock is replaced as necessary.
- Electric solenoid on AMX-4 column.
- All bearings are cleaned, inspected, repacked or replaced as necessary.

### Structurally Reinforced Chassis

- Heavy-duty chassis upgrade includes several structural reinforcements.
- Front casters replaced (new style)
- New ABS plastic protective bumpers.

### Cabling

- All high/ low voltage cables fully inspected.
- Remanufactured cord reel.

### Remanufactured Drive System

- Differential axle, motor, drive chains, brakes, and gears are fully tested and repaired or replaced as necessary.

### Tube/ Collimator Assembly

- Tube assembly is fully inspected.
- Tube yoke bushing, shaft fully inspected.
- Complete collimator inspection/ testing.
- Collimator windows and knobs fully inspected.

### Reinforced Cassette Drawer

- Strengthened bottom plate assembly.
- Reinforced side panels and felt liner installed on AMX-110, II, and III's.
- Storage for ten 14" x 17" cassettes.

### Hand switch Control

- Remote field light on hand switch.
- Retractable cord on AMX-110, II, III's fully inspected.

### Maintenance-Free Battery Pack

- Sealed, Lead-Calcium upgrade.
- Eliminates need for periodic equalizing and potential overcharging.